

8077

Exposed Shackle Padlock

WARRANTY

This lock is guaranteed to be free of defects in workmanship or material for a period of one year.

We will repair or replace, at our option, any lock proving defective — if returned to our factory. We will not be responsible for any repairs made without our written authority.

For warranty or other assistance contact - Quality Control Manager
Phone (606) 885-9411



SARGENT & GREENLEAF, INC.
1 SECURITY DRIVE • NICHOLASVILLE, KENTUCKY 40366

1. All 8077 padlocks are operated on the 4 - 3 - 2 - 1 principle. That is, to open the lock, the dial is turned counterclockwise four times to the first number, three times clockwise to the second number, two times counterclockwise to the third number, and once clockwise to the last number, which is always zero.

2. The one exception to this opening procedure applies to new locks. All new 8077-locks are shipped from the factory with the single number of 25 set on it. A new combination should be set on the lock before it is put into service, and periodically thereafter.

3. Before attempting to operate this lock, study the illustrations of the lock to familiarize yourself with the names of various important features of the lock. Before attempting to change the combination, you should be thoroughly familiar with the opening procedures.

4. When opening the lock, or changing the combination, care should be taken to align the numbers of the combination and the index very exactly. Failure to do this will result in a lock that is difficult to operate.

OPENING PROCEDURE

1. Determine the present combination on the lock.

A. If the lock is new and is just being put into service, the number 25 will be set on it.

B. Turn the dial counterclockwise four revolutions. On the fourth revolution, align the number 25 on the dial with the opening index I. See Fig. A.

C. Turn the dial clockwise one-half revolution and align 0 with the opening index I.

D. Pull shackle out to open the lock.

NOTE: If the lock fails to open: Dial $\frac{1}{2}$ number + or - (i.e. $24\frac{1}{2}$ - $25\frac{1}{2}$) to compensate for possible variation of the factory setting.

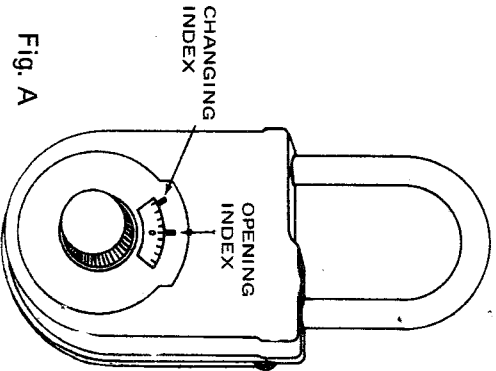


Fig. A

2. If the lock has any other combination other than the factory one on it, turn the dial counterclockwise, four revolutions. On the fourth revolution align the first number of the combination on the opening index I. See Fig. A.

3. Turn the dial clockwise, pass the second number of the combination two times and on the third revolution align that number on the opening index I.

4. Turn the dial counterclockwise, pass the third number of the combination one time and on the second revolution, align that number on the opening index I.

5. Turn the dial clockwise until zero is aligned with the opening index I.

6. Pull the shackle upward to open the lock.

IMPORTANT:

After relocking the padlock the dial must be turned at least five complete revolutions in one direction to assure that the padlock is fully locked.

CHANGING PROCEDURE

1. With the present combination open the lock as described in the "opening" procedure.
2. On the back of the lock, using the screwdriver end of the change key (Fig. B), turn the cover locking screw (Fig. C) clockwise until it comes to a complete stop.
3. Remove rear cover plate by sliding it upward toward the shackle.
4. Back out counterclockwise the cover locking screw until it comes to a stop.
5. Relock the shackle.
6. Cover the opening index mark with a small piece of masking tape to prevent misdialing the number on the opening index.
7. Dial the present combination on the changing index. All numbers of the combination, including the last number zero, are used in the combination changing procedure.
 - A. In the event that the lock is new and just being put into service, the single number of 25 is set on the combination. Turn the dial counterclockwise four turns and on the fourth revolution, stop at 25 under the changing index. Turn the dial

clockwise \curvearrowright one-half revolution stopping when zero is aligned with the changing index. Do not pull out the shackle.

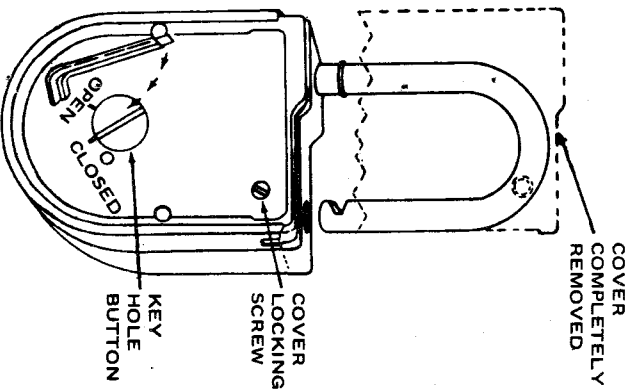


Fig. C

8. In the event that any other combination is set on the lock, using the same procedure outlined for opening the lock, dial the present combination on the changing index. Do not pull out the shackle.

9. Using the elbow of the changing key (Fig. B), turn the key hole button on the back of the lock (Fig. C) clockwise \curvearrowright to the open position. If the button will not turn, repeat the procedures in steps 7 or 8.

10. Insert the change key tip first. The change key is properly seated when the tab on the key is fully inside the lock back. Turn the key clockwise \curvearrowright one-quarter turn.

11. Turn the dial counterclockwise \curvearrowleft five revolutions; this erases the old combination.

12. Dial the new combination including zero on the changing index. Use the procedures as outlined in the "opening" procedures.

13. Once the new combination is set, and zero is aligned with the changing index, turn the change key counterclockwise \curvearrowleft one-fourth turn and remove. Do not reset key hole button.

NOTE: For assurance that you have correctly set the combination, you should once again completely redial the new combination as directed in Step 12. Reinsert the change key fully into the lock, but do not turn. If the key will fully insert, you have set the combination correctly. Remove change key. Failure to recheck the combination by this procedure may result in a lock that cannot be used.

14. Dial the new combination including zero on the changing index. Using the change key elbow, turn the key hole button to the closed position.

15. If the key hole button will not return to the closed position, the combination has been incorrectly dialed. Redial.

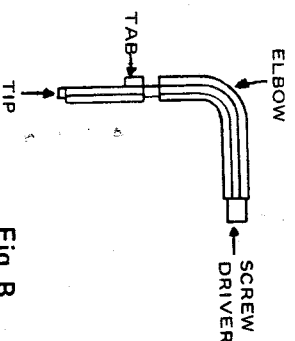


Fig. B

16. Remove the masking tape from the opening index. Dial the new combination using the opening index and follow the steps outlined in the "opening" procedures. Pull out the shackle.

17. Turn the cover locking screw clockwise \curvearrowright until it comes to a complete stop.

18. Slide the rear cover into place.

19. Turn cover locking screw out counterclockwise \curvearrowleft until it comes to a complete stop. Relock the lock.

20. After any combination number change, it is advisable to operate the lock several times before it is put into use.